

2 PIECES BALL VALVE PN63 MALE – MALE BSP

PRODUCT EVOLUTION



Be careful, our valves Ref.709 are changing

**We currently have 2 different types available (according to DN)
with different dimensions**

Example of old marking :



Example of new marking :

(CE0038 or CE 0343)



At the end, only the new type will be available (from page 2 to 7)

2 PIECES BALL VALVE PN63 MALE – MALE BSP

2 pieces stainless steel ball valve with reduced bore for Chemical industries, petrochemical industries, hydraulic installation, heating, water distribution and compressed air.

PTFE packing, PTFE+carbon body gasket and PTFE filled with 15% Glass fiber seat.

Certificate
3.1



NEW



Size : DN3/8" to DN1"
Connection : Male-Male BSP
Min Temperature : -50°C
Max Temperature : +180°C
Max Pressure : 63 Bars (up to DN3/4")
Specifications : Anti blow-out stem
Handle with locking device
Reduced bore

Materials : Stainless Steel ASTM A351 CF8M

2 PIECES BALL VALVE PN63 MALE – MALE BSP

SPECIFICATIONS :

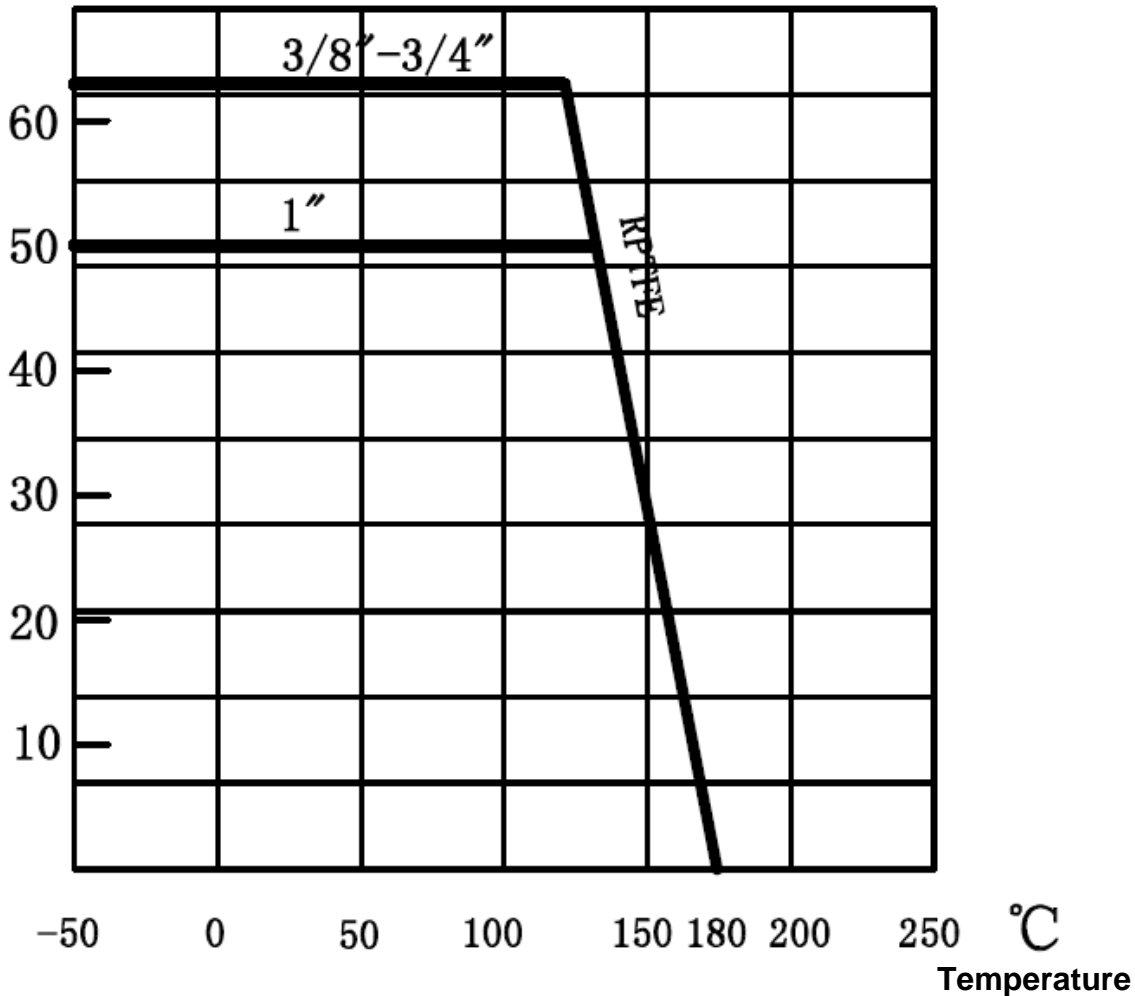
- Reduced bore
- Anti blow-out stem
- PTFE packing
- Locking device
- Solid ball
- 2 pieces type
- With exhaust hole in the ball (located in the top of the ball to avoid overpressure in it)

USE :

- Chemical and pharmaceutical industries, petrochemical industries, hydraulic installation, compressed air
- Min and max Temperature Ts : -50°C to + 180°C
- Max Pressure Ps : 63 bars up to DN3/4" , 50 bars for DN 1" (see graph)

PRESSURE / TEMPERATURE GRAPH (STEAM EXCLUDED) :

Pressure (Bar)



2 PIECES BALL VALVE PN63 MALE – MALE BSP

FLOW COEFFICIENT Kvs (M3 / h) :

DN	3/8"	1/2"	3/4"	1"
Kvs (m3/h)	21.7	25.3	50.9	100

RANGE :



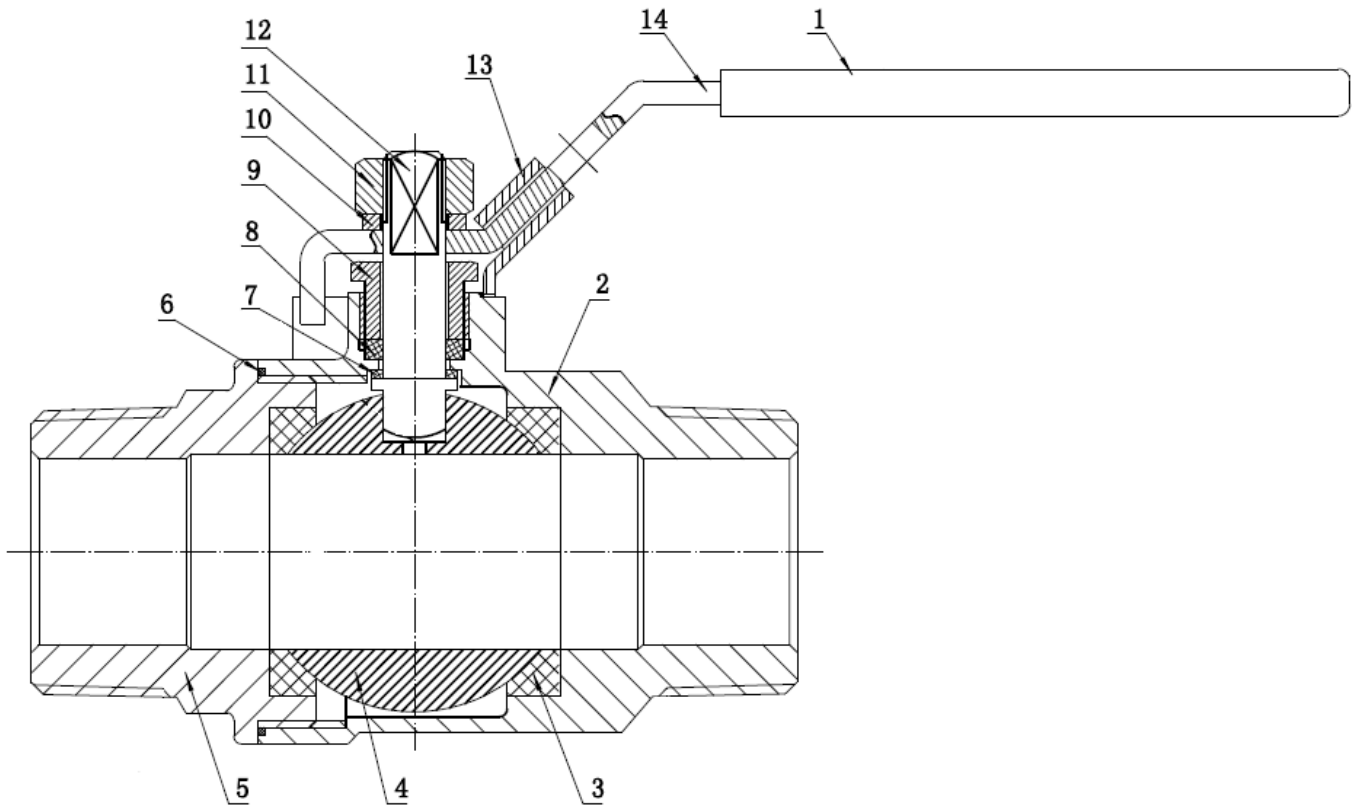
- Stainless steel ball valve threaded male/male BSP with red flat steel handle DN3/8" to DN1" **Ref.709**



- AISI 304 red butterfly handle **Ref. 9831135** DN 1/2"

2 PIECES BALL VALVE PN63 MALE – MALE BSP

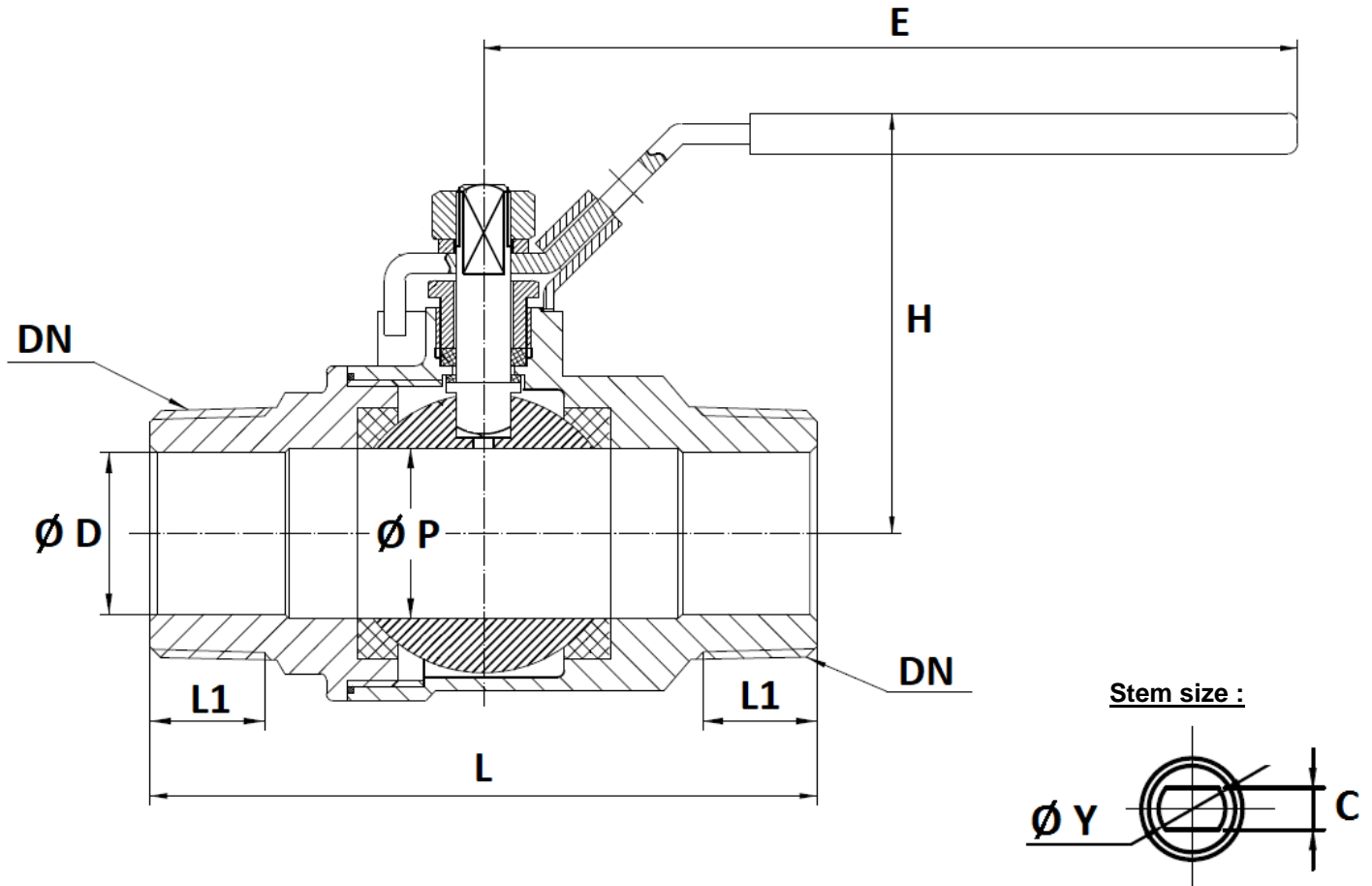
MATERIALS :



Item	Designation	Materials
1	Handle cover	Plastic
2	Body	ASTM A351 CF8M
3	Seat	PTFE filled with 15% glass fiber
4	Ball	AISI 316
5	Ends	ASTM A351 CF8M
6	Body gasket	PTFE
7	Gasket	PTFE filled with carbon
8	Packing	PTFE
9	Packing nut	AISI 304
10	Washer	
11	Handle nut	
12	Stem	AISI 316
13	Locking device	AISI 304
14	Handle	

2 PIECES BALL VALVE PN63 MALE – MALE BSP

SIZE (in mm) :



DN	3/8"	1/2"	3/4"	1"
L	66	76	86	96
Ø D	8.5	12.5	17.5	23.6
Ø P	12.5	15	20	25
E	91.5	103	112.5	
H	48	52.5	59	62.5
L1	11.2	14.7	16.2	19
C	5	6-5*	6	
Ø Y	M8			
Weight (Kg)	0.21	0.33	0.51	0.79
Ref.	709003	709004	709005	709006

*modification in progress

2 PIECES BALL VALVE PN63 MALE – MALE BSP

STANDARDS :

- Manufacturer certified ISO 9001 : 2015
- DIRECTIVE 2014/68/EU : For liquids and gas of Group 1
 - DN3/8"-1" : Article 4, §3 (SEP), no CE marking
- Certificate 3.1 on request
- Pressure tests according to EN 12266-1, rate A
- Threaded male conical ends BSP according to ISO 7/1 R

ADVICE : Our opinion and our advice are not guaranteed and SFERACO shall not be liable for the consequences of damages.
The customer must check the right choice of the products with the real service conditions.

Sferaco 90 rue du Ruisseau 38297 St Quentin Fallavier Tel: + 33 (0) 474.94.15.90 Fax: + 33 (0) 474.95.62.08 Internet: www.sferaco.com E-mail : info@sferaco.fr

Date : 12/22

Page 7 sur 13

Rev. 09

2 PIECES BALL VALVE PN63 MALE – MALE BSP

2 pieces stainless steel ball valve with reduced bore for Chemical industries, petrochemical industries, hydraulic installation, heating, water distribution and compressed air.

PTFE packing and PTFE filled with 15% Glass fiber seat.



Size : DN3/8" to DN1"
Connection : Male-Male BSP
Min Temperature : -20°C
Max Temperature : +180°C
Max Pressure : 63 Bars
Specifications : Anti blow-out stem
Handle with locking device
Reduced bore

Materials : Stainless Steel EN 1.4408

2 PIECES BALL VALVE PN63 MALE – MALE BSP

SPECIFICATIONS :

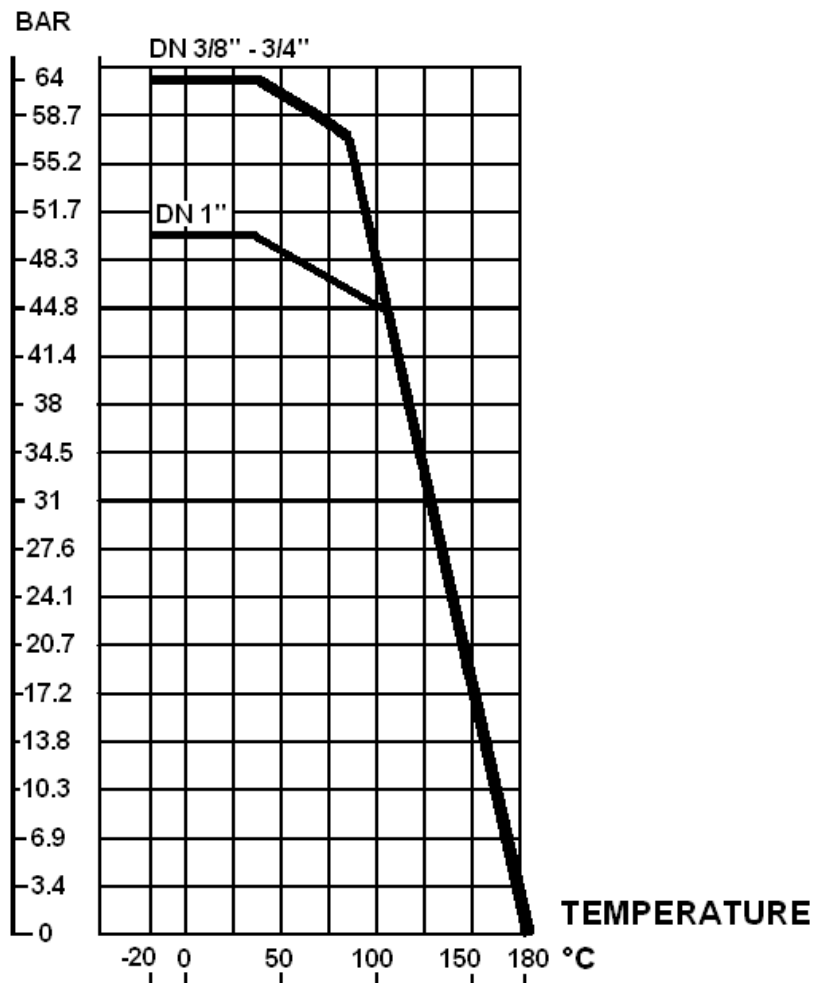
- Reduced bore
- Anti blow-out stem
- PTFE packing
- Locking device
- Solid ball
- 2 pieces type

USE :

- Chemical and pharmaceutical industries, petrochemical industries, hydraulic installation, compressed air
- Min and max Temperature Ts : -20°C to + 180°C
- Max Pressure Ps : 63 bars up to DN3/4" , 50 bars for DN 1" (see graph)

PRESSURE / TEMPERATURE GRAPH (STEAM EXCLUDED) :

PRESSURE



2 PIECES BALL VALVE PN63 MALE – MALE BSP

FLOW COEFFICIENT Kvs (M3 / h) :

DN	1/2"	3/4"	1"
Kvs (m3/h)	25	50	100

TORQUE VALUES (in Nm without safety coefficient) :

DN	3/8"	1/2"	3/4"	1"
Torque (Nm)	2.7	3	4	5

RANGE :



- Stainless steel ball valve threaded male/male BSP ends with red flat steel handle DN 3/8" to DN 1"



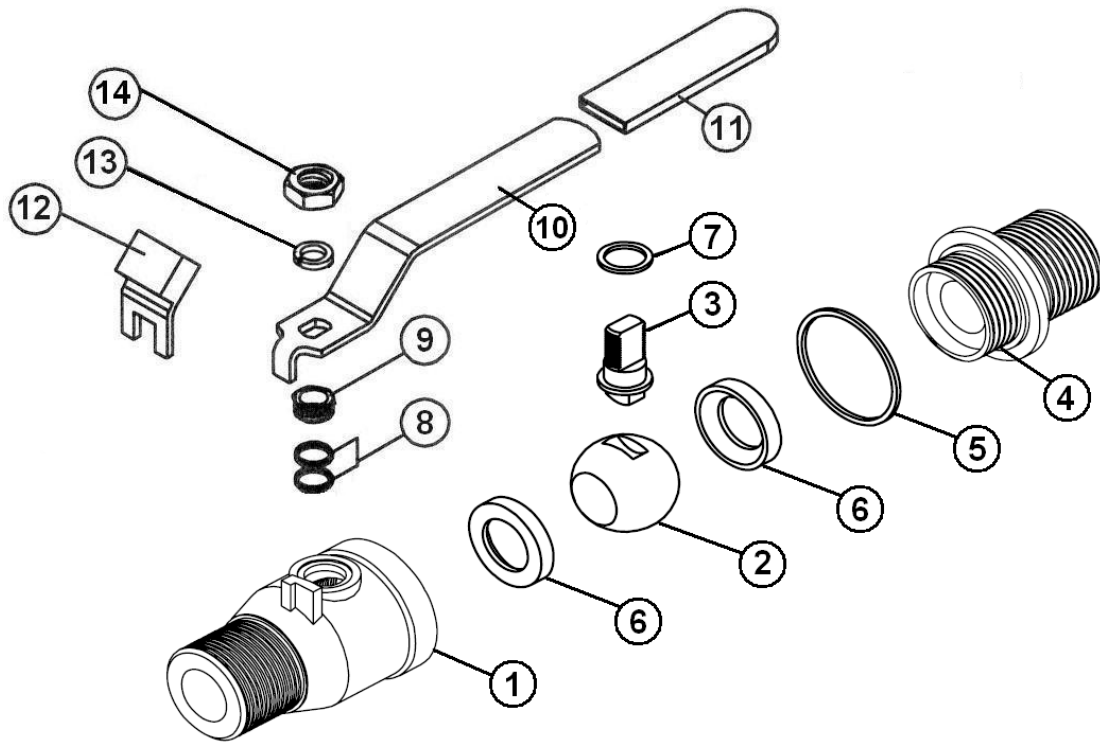
- Blue handle cover **Ref. 9830380 to 9830382** from DN 3/8" to DN 1"



- S.S.304 red butterfly handle **Ref. 9831131 to 9831134** from DN 3/8" to DN 1"

2 PIECES BALL VALVE PN63 MALE – MALE BSP

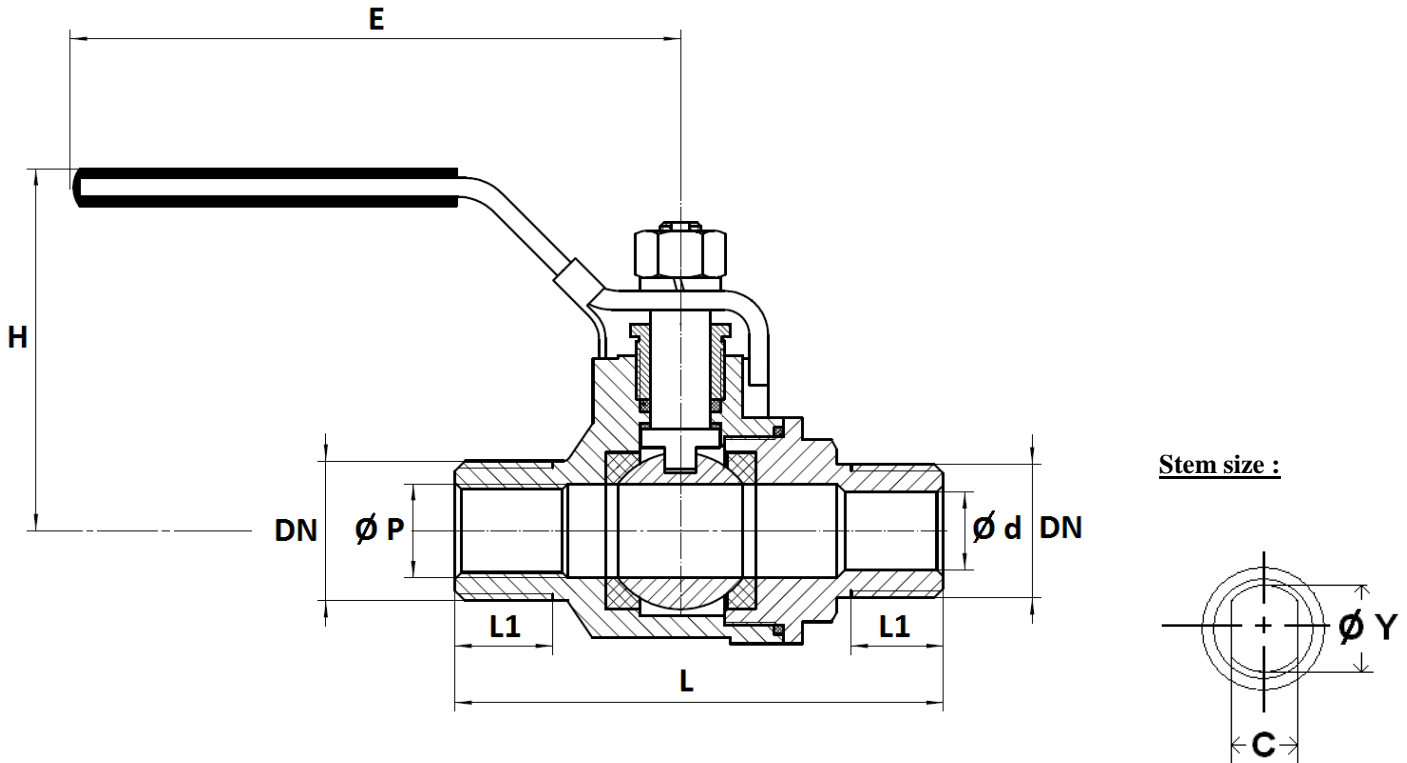
MATERIALS :



Item	Designation	Materials
1	Body	EN 1.4408
2	Ball	AISI 316
3	Stem	AISI 316
4	Bonnet	EN 1.4408
5	Body seal	PTFE
6	Seat	PTFE filled with 15% glass fiber
7	Stem gasket	PTFE
8	Packing	PTFE
9	Packing nut	
10	Handle	AISI 304
11	Handle cover	Plastic
12	Locking device	
13	Washer	AISI 304
14	Handle nut	

2 PIECES BALL VALVE PN63 MALE – MALE BSP

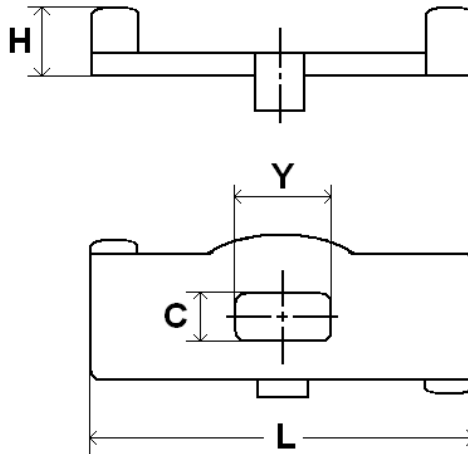
SIZE (in mm) :



DN	3/8"	1/2"	3/4"	1"
L	66	76	86	96
Ø d	8.5	12.5	17.5	23.6
Ø P	12.5	15	20	25
E	83	103	103	151
H	53	60	62	77
L1	11.2	14.7	16.2	19
C	5	6.5	6.5	8
Ø Y	7	7.5	7.5	9
Weight (in Kg)	0.26	0.33	0.51	0.79
Ref.	709003	709004	709005	709006

2 PIECES BALL VALVE PN63 MALE – MALE BSP

BUTTERFLY HANDLE SIZE (in mm) :



- **Ref. 983113 :**

DN	3/8"	1/2"	3/4"	1"
L	55	60	60	70
H	20	22	22	28
C	5	6.5	6.5	8
Y	8	9.5	9.5	11.5

STANDARDS :

- Manufacturer certified ISO 9001 : 2015
- DIRECTIVE 2014/68/EU : CE N° 0035
Risk category III Module H
- Certificate 3.1 on request
- Pressure tests according to ISO 5208, rate A
- Threaded male conical ends BSP according to ISO 7/1 R

ADVICE : Our opinion and our advice are not guaranteed and SFERACO shall not be liable for the consequences of damages. The customer must check the right choice of the products with the real service conditions.