

2 PIECES STAINLESS STEEL BALL VALVE PN63 WITH EXHAUST HOLE

2 pieces stainless steel ball valve with full bore for compressed air.
PTFE packing and seat.
Exhaust hole.



PED 2014/68/UE



Size : DN1/4" to DN1"
Connection : Female BSP
Min Temperature : -20°C
Max Temperature : +180°C
Max Pressure : 8 bars
Specifications : Anti blow-out stem
Locking device
Full bore
With exhaust hole

Materials : Stainless Steel EN 1.4408

2 PIECES STAINLESS STEEL BALL VALVE PN63 WITH EXHAUST HOLE

SPECIFICATIONS :

- Full bore
- Anti blow-out stem
- PTFE packing
- PTFE seat
- Locking device
- Solid ball
- 2 pieces type
- With exhaust hole

USE :

- Compressed air
- Min and max Temperature Ts : -20°C to + 180°C
- Max pressure 8 bars

TORQUE VALUES (in Nm without safety coefficient) :

DN	1/4"	3/8"	1/2"	3/4"	1"
Torque (Nm)	3	4	6	8	10

FLOW COEFFICIENT Kvs (M3 / h) :

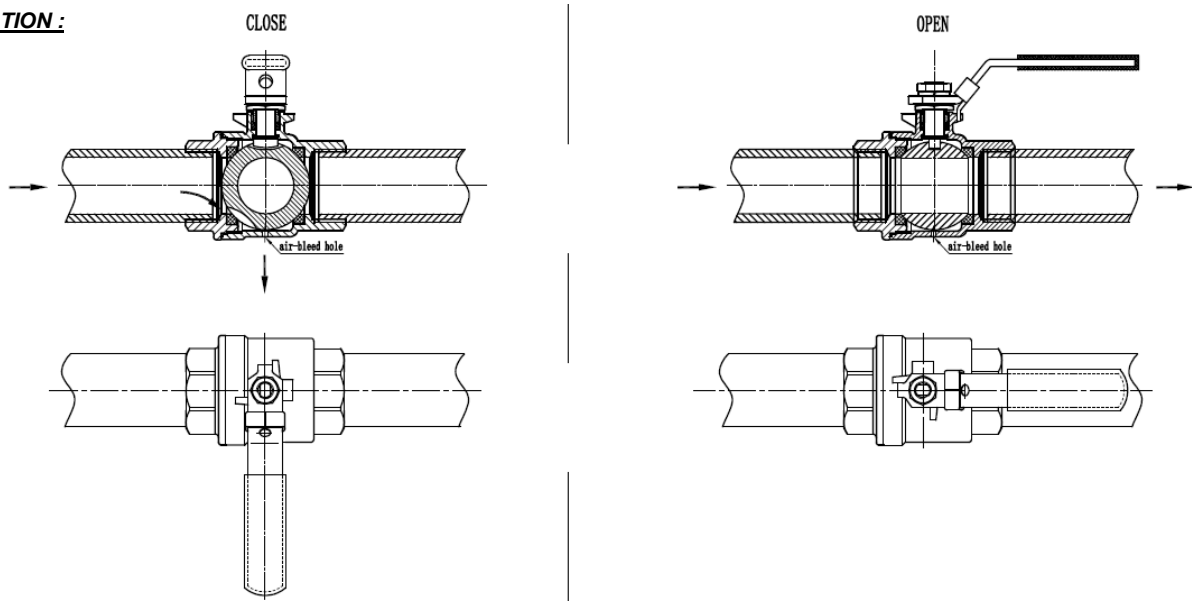
DN	1/4"	3/8"	1/2"	3/4"	1"
Kvs (m3/h)	6.6	7.9	11.2	21	35

RANGE :



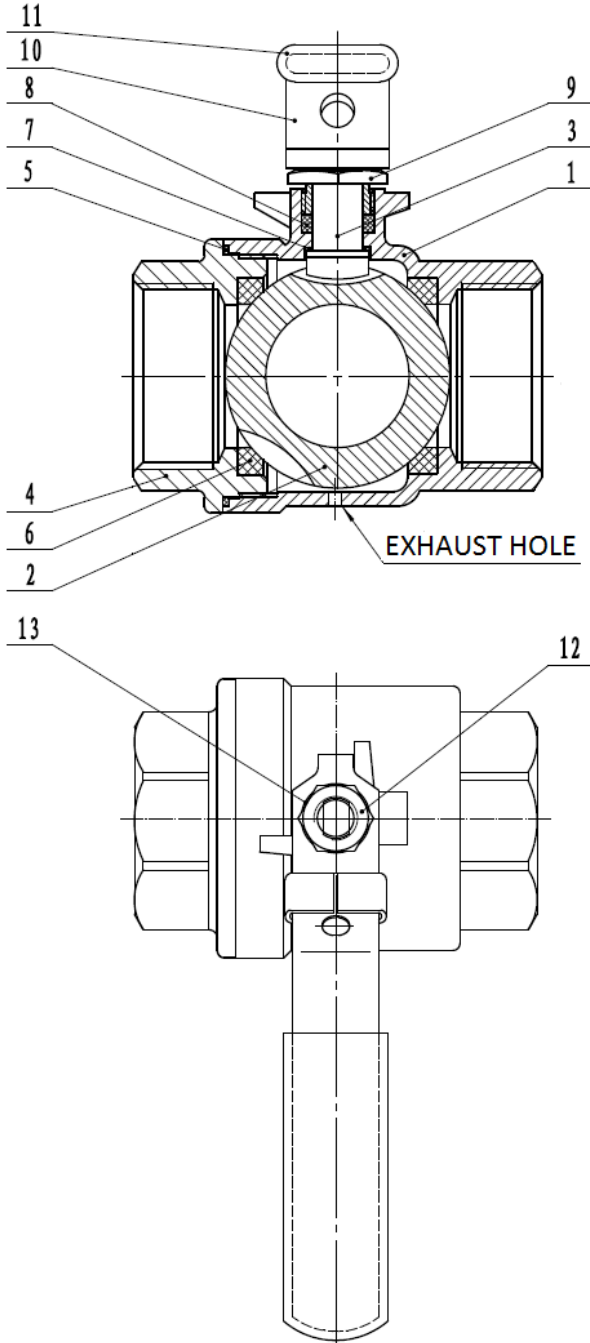
- Ball valve female / female threaded BSP Stainless steel blue handle with exhaust hole
Ref. 7152 from DN 1/4" to DN 1"

OPERATION :



2 PIECES STAINLESS STEEL BALL VALVE PN63 WITH EXHAUST HOLE

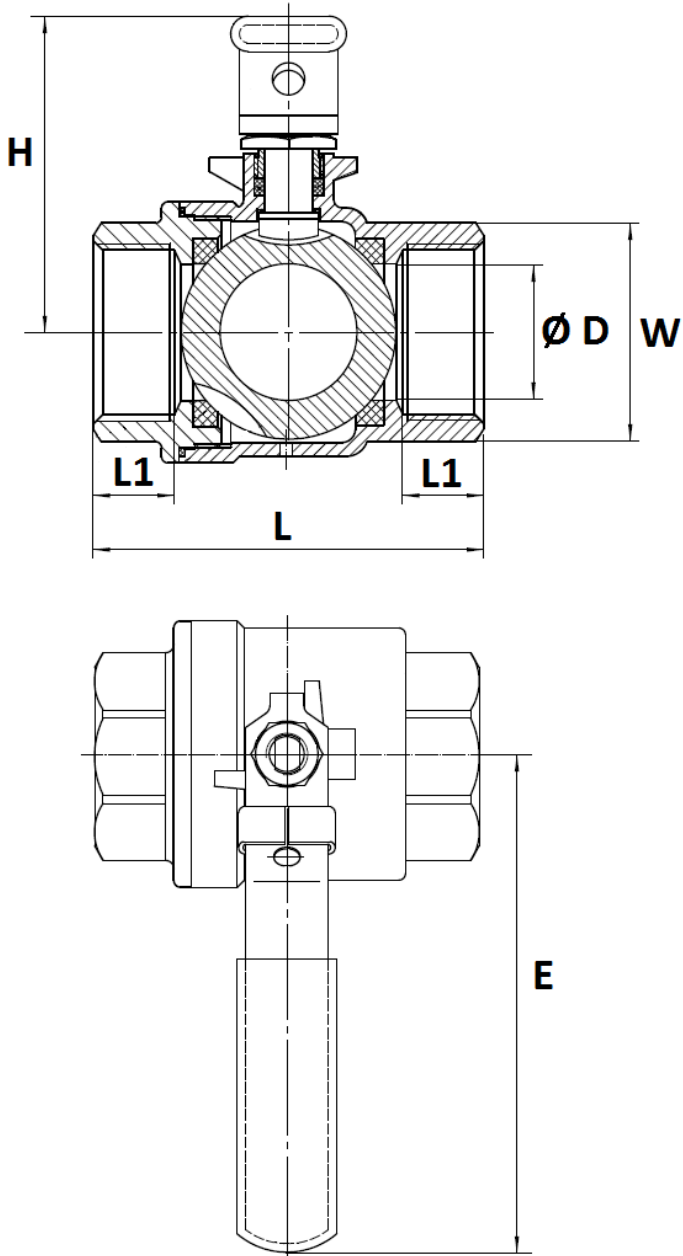
MATERIALS :



Item	Designation	Materials
1	Body	EN 1.4408
2	Ball	AISI 316
3	Stem	
4	Ends	EN 1.4408
5	Body seal	PTFE
6	Seat	
7	Stem gasket	
8	Packing	
9	Packing nut	AISI 304
10	Handle	AISI 304
11	Handle cover	Plastic
12	Handle nut	AISI 304
13	Handle washer	AISI 304

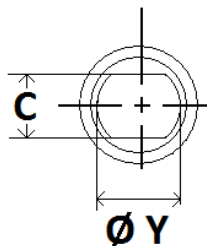
2 PIECES STAINLESS STEEL BALL VALVE PN63 WITH EXHAUST HOLE

SIZE (in mm) :



DN	1/4"	3/8"	1/2"	3/4"	1"
Ø D	10.8	12.5	15	20	25
L	51	51	57.5	65	78.5
E	104	104	104	128	128
H	48	48	46	59	63
L1	11	11	13	14	18
W on flat	22	22	25.5	31	38.5
C	5	5	5	5.8	5.8
Ø Y	8	8	8	8	8
Weight (Kg)	0.22	0.21	0.25	0.38	0.59
Ref.	715202	715203	715204	715205	715206

Stem size :



2 PIECES STAINLESS STEEL BALL VALVE PN63 WITH EXHAUST HOLE**STANDARDS :**

- Manufacturer certified ISO 9001 : 2015
- DIRECTIVE 2014/68/EU : CE N° 0036
Risk Category III Module H
- Certificate 3.1 on request
- Pressure Tests according to EN 12266-1, rate A
- Threaded BSP cylindrical ends according to ISO 228-1

ADVICE : Our opinion and our advice are not guaranteed and SFERACO shall not be liable for the consequences of damages.
The customer must check the right choice of the products with the real service conditions.