

PRESSURE GAUGE VERTICAL ALL STAINLESS STEEL DRY DIAL FILLABLE D.100 BSP FOR STEAM

Pressure gauge vertical all stainless steel dry dial fillable for liquid and gas network, not for viscous or crystallizing liquid and not attacking copper alloys.

The pressure gauge can be installed with a diaphragm seal.

Diaphragm seal systems are used to protect the pressure measuring instrument from aggressive or corrosive fluids.

Shock and vibration resistant.

IP65.

All stainless steel.



Size : Ø100

Connection : Male 1/2" BSP

Min Temperature : +0°C (Ambient -25°C)

Max Temperature : +200°C without filling (Ambient +65°C)

Pressure Range : -1/+0.6 Bar to 0/+600 Bars

Specifications : All Stainless steel

Radial type

Dry dial (to be fitted in)

Class 1

Materials : AISI 304 box

PRESSURE GAUGE VERTICAL ALL STAINLESS STEEL DRY DIAL FILLABLE D.100 BSP FOR STEAM

SPECIFICATIONS :

- All stainless steel
- Stainless steel mechanism
- Dry dial (to be fitted in)
- Fillable with glycerine or silicone
- 1 class (at 20°C)
- Bottom connection BSP threaded
- With vent security
- IP65
- Shock and vibration resistant
- Installation possible with diaphragm seal AISI 316L welded or clamp

USE :

- Not for viscous or crystallizing liquid
- Chemicals, petrochemicals, energy production, mining, on and offshore, environmental technology, construction of machines and technical installations for types 2385RV D
- Pharmaceutical industries, food production for types 2385RV S343 and 2385RV CL with diaphragm seal
- Steam : 200°C maxi (installted with a coil siphon)
- Min and max Temperature Ts : +0°C to +200°C without filling, +90°C with filling (ambient -25°C to + 65°C)
- Overpressure limit :
 - Up to 100 bars : 125% of the full range
 - From 100 bars to 600 bars : 115% of the full range

RANGE :



- All stainless steel pressure gauge dry dial Ø 100 radial type DN1/2" BSP, range from -1/+0.6 to 0/600 bars **Ref. 2385RV D**



- All stainless steel with filling oil KN59, Ø 100 radial type DN1/2" BSP with diaphragm welded seal Type 990.34 Mb 52 mm and threaded fitting, range from 0/+1 to 0/60 bars **Ref. 2385RV S343**



- All stainless steel with filling oil KN59, Ø 100 radial type DN1/2" BSP with diaphragm seal Clamp PN40 DN1"1/2 Type 990.22, range from -1/0 to 0/40 bars **Ref. 2385RV CL**

PRESSURE GAUGE VERTICAL ALL STAINLESS STEEL DRY DIAL FILLABLE D.100 BSP FOR STEAM

ACCESSORIES :



- Stainless steel Coil Siphon PN160 Male / Female BSP
 - DN 1/2" **Ref. 9817130**



- Stainless steel valve PN400 Male / Female BSP
 - DN 1/2" **Ref. 1393004**



- 250 ml glycerine bottle **Ref. 9880401**

PRESSURE GAUGE VERTICAL ALL STAINLESS STEEL DRY DIAL FILLABLE D.100 BSP FOR STEAM
GRADUATIONS :

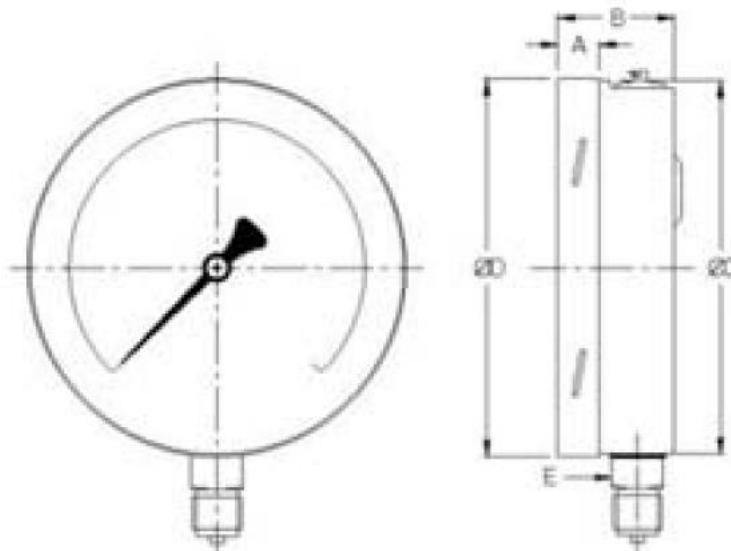
Range (bar)	Ref. Pressure gauge (alone)	Ref. Pressure gauge with welded diaphragm seal	Ref. Pressure gauge with clamp diaphragm seal
-1 / 0			2385RV01CL15D
-1 / +0.6	2385RV02D		
-1 / +1.5	2385RV03D		
-1 / +3	2385RV04D		2385RV04CL15D
-1 / +5	2385RV05D		2385RV05CL15D
-1 / +9	2385RV06D		2385RV06CL15D
-1 / +15	2385RV07D		
0 / 0.6	2385RV08D		
0 / 1	2385RV09D	2385RV09S343	
0 / 1.6	2385RV10D	2385RV10S343	2385RV09CL15D
0 / 2.5	2385RV11D	2385RV11S343	2385RV10CL15D
0 / 4	2385RV12D	2385RV12S343	2385RV12CL15D
0 / 6	2385RV13D	2385RV13S343	2385RV13CL15D
0 / 10	2385RV14D	2385RV14S343	2385RV14CL15D
0 / 16	2385RV15D	2385RV15S343	2385RV15CL15D
0 / 25	2385RV16D	2385RV16S343	2385RV16CL15D
0 / 40	2385RV17D	2385RV17S343	2385RV17CL15D
0 / 60	2385RV18D	2385RV18S343	
0 / 100	2385RV19D		
0 / 160	2385RV20D		
0 / 250	2385RV21D		
0 / 400	2385RV23D		
0 / 600	2385RV24D		

PRESSURE GAUGE VERTICAL ALL STAINLESS STEEL DRY DIAL FILLABLE D.100 BSP FOR STEAM

MATERIALS :

Designation	Materials
Box	AISI 304
Dial	White aluminium
Needle	Black Aluminium
Glass window	Plexiglass
Case	AISI 304
Measuring system	AISI 316L
Movement	AISI 304
Diaphragm	AISI 316L

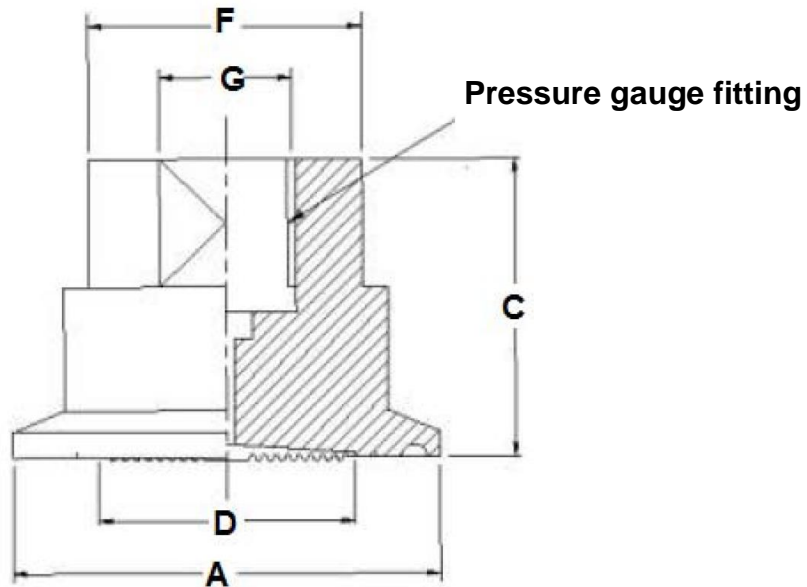
SIZE REF.2385RVD (in mm) :



A	B	Ø C	Ø D	E	Weight (Kg)
17.5	49	99	101	22	0.53

PRESSURE GAUGE VERTICAL ALL STAINLESS STEEL DRY DIAL FILLABLE D.100 BSP FOR STEAM

CLAMP SIZE REF.2385RV CL (in mm) :



DN	Ø A	C	Ø D	F	G
1"1/2	50.5	42	38	29	1/2"

STANDARDS :

- Manufacturer certified ISO 9001 : 2015
- Designing according to EN 837-1
- DIRECTIVE 2014/68/EU : Products excluded from directive (article 4, § 3)
- Threaded male BSP cylindrical ends according to ISO 228-1

ADVICE : Our opinion and our advice are not guaranteed and SFERACO shall not be liable for the consequences of damages. The customer must check the right choice of the products with the real service conditions.